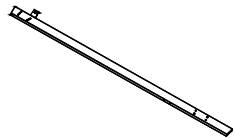
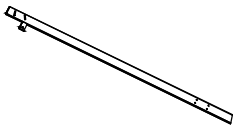
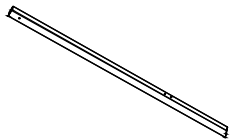
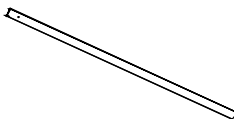

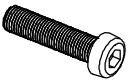
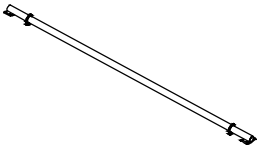
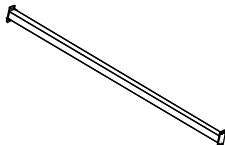
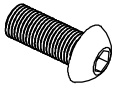
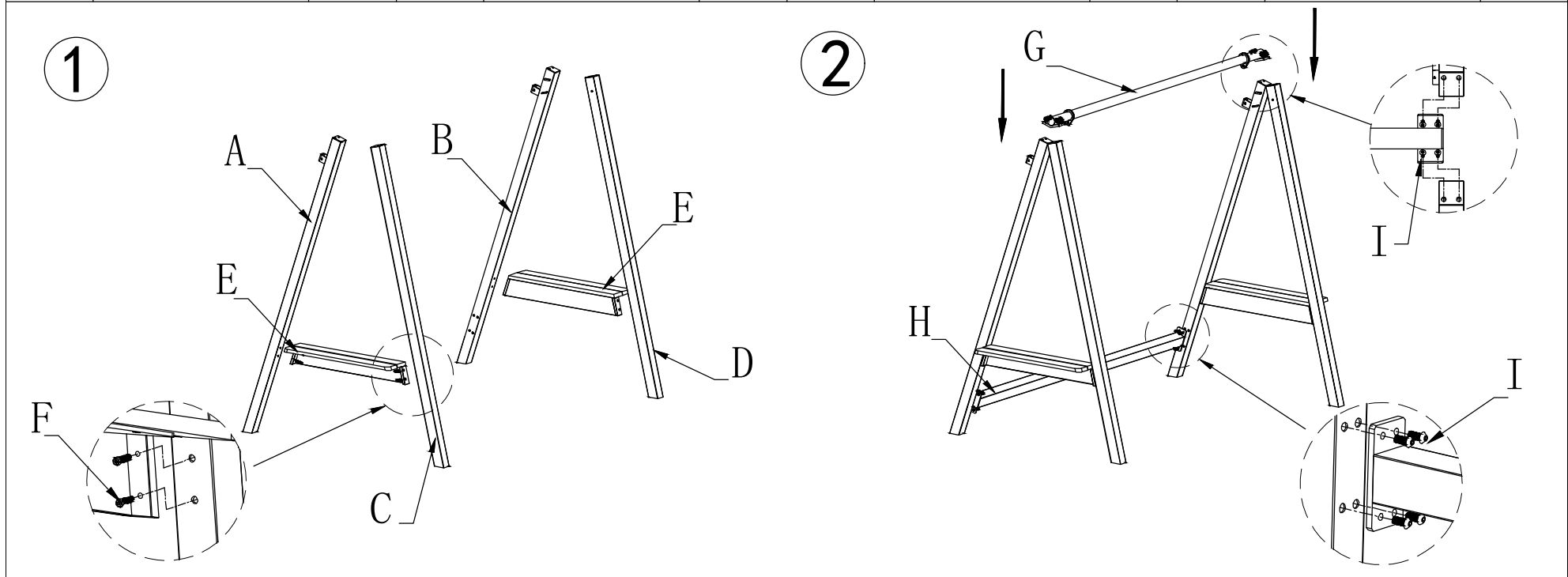
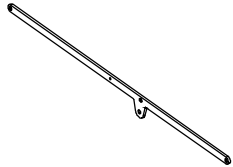
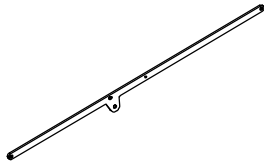
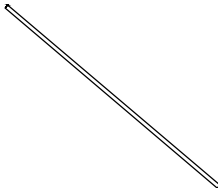
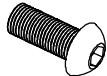

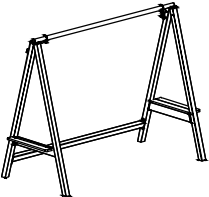
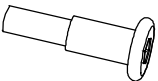
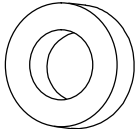
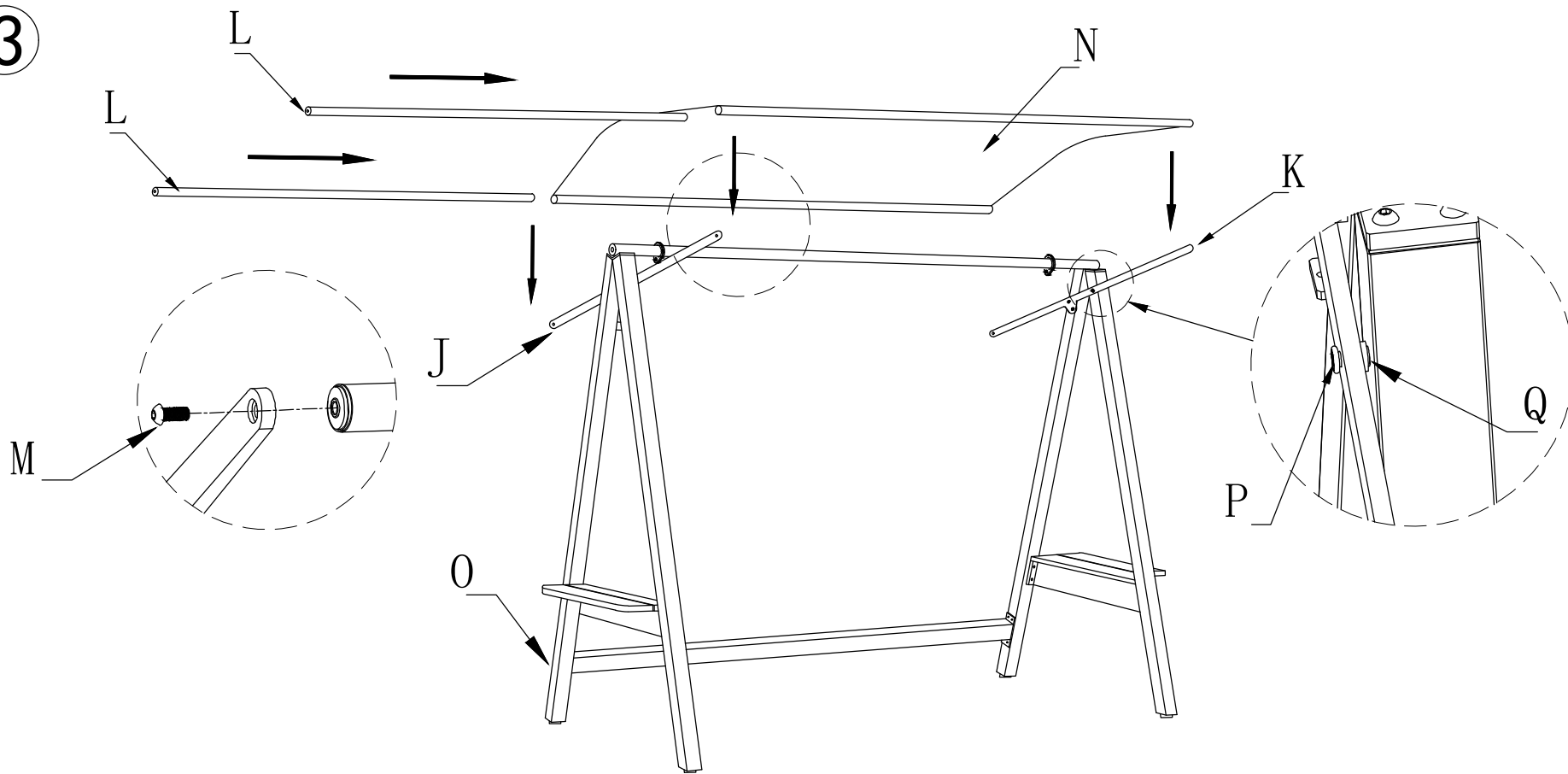


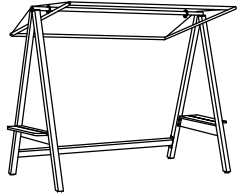
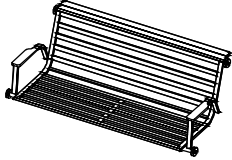

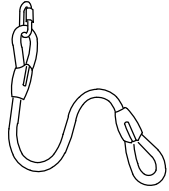
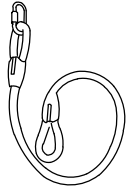
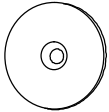
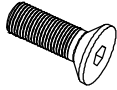
|   |  |       |   |  |      |   |   |     |   |   |     |
|---|--|-------|---|--|------|---|---|-----|---|---|-----|
| A |           | 1pc   | B |           | 1pc  | C |  | 1pc | D |  | 1pc |
| E |           | 2pcs  | F | <br>M6*30 | 8pcs | G |  | 1pc | H |  | 1pc |
| I | <br>M8*20 | 16pcs |   |  |      |   |   |     |   |   |     |



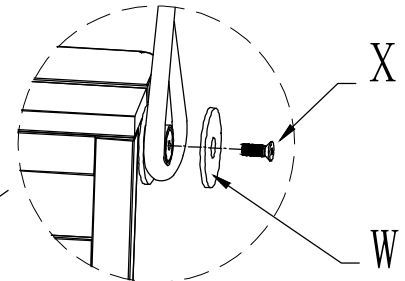
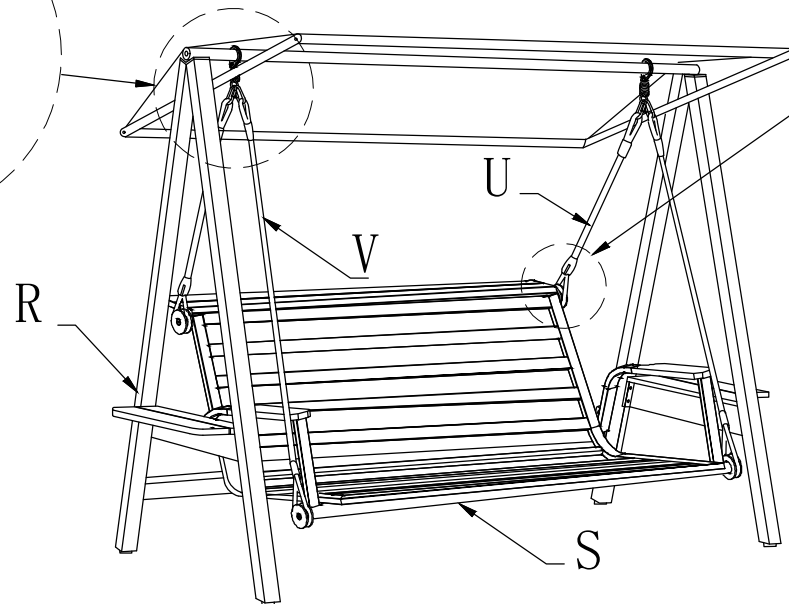
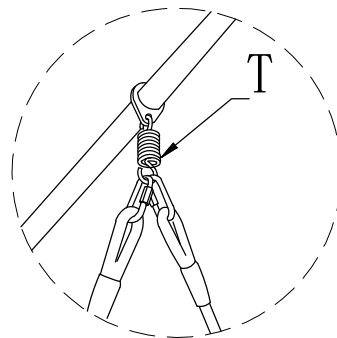
|   |   |     |   |  |     |   |   |      |   |  |      |
|---|---|-----|---|--|-----|---|---|------|---|--|------|
| J |  | 1pc | K |  | 1pc | L |              | 2pcs | M | <br>M8*20 | 4pcs |
| N |  | 1pc | O |   | 1pc | P | <br>∅8*M6*15 | 2pcs | Q |           | 2pcs |

③



|   |  |      |   |   |      |   |   |      |   |   |      |
|---|--|------|---|---|------|---|---|------|---|---|------|
| R |               | 1pc  | S |  | 1pc  | T |            | 2pcs | U | <br>Ø 18*800 | 2pcs |
| V | <br>Ø 18*1200 | 2pcs | W |  | 4pcs | X | <br>M10*30 | 4pcs |   |   |      |

4



5

BACK

