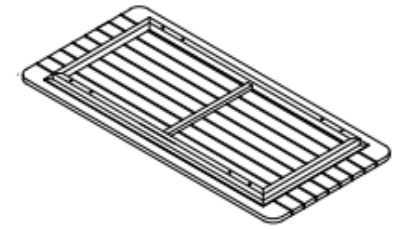
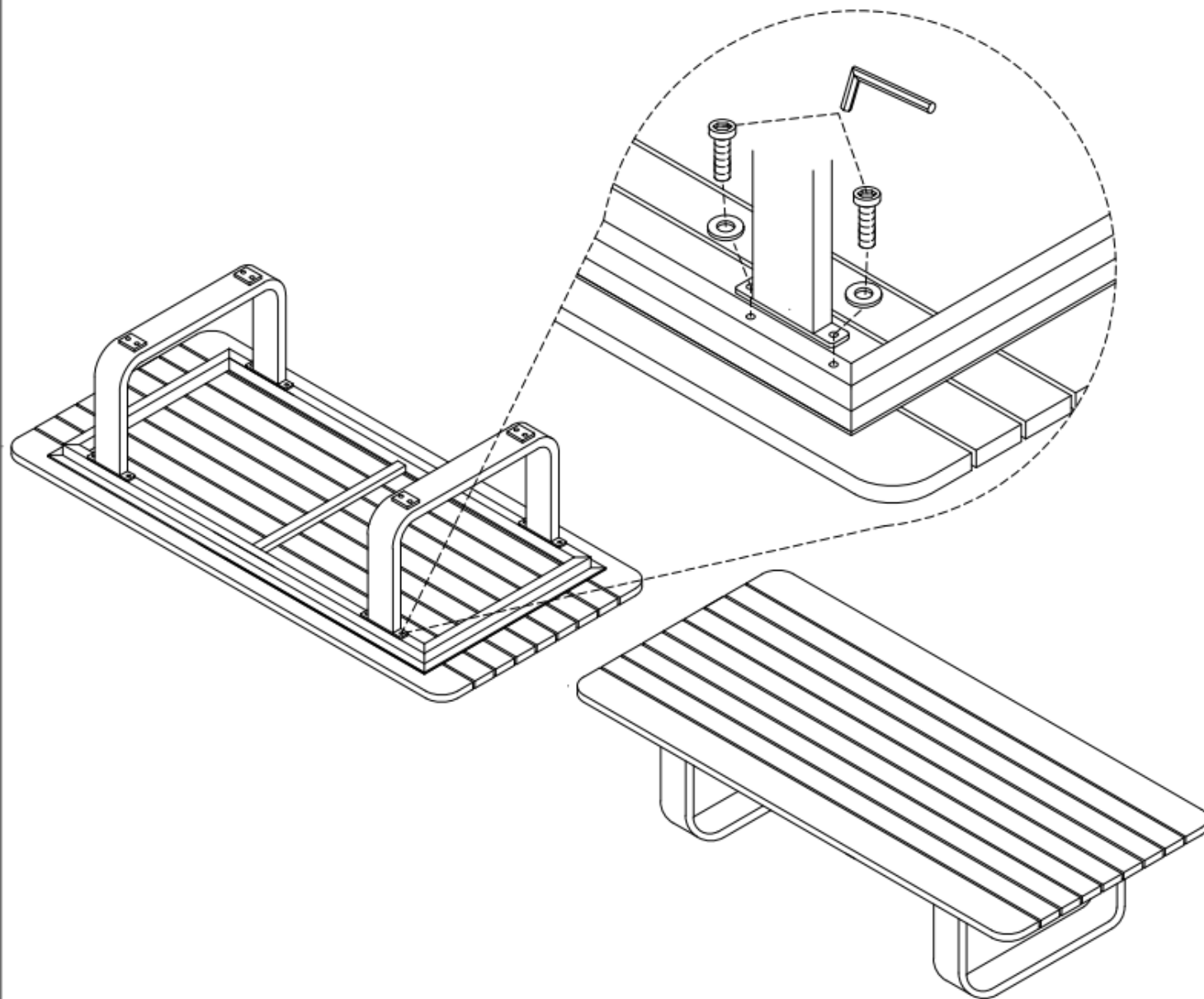


# Assembly Instruction



1PC



2PCS



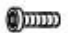




8PCS



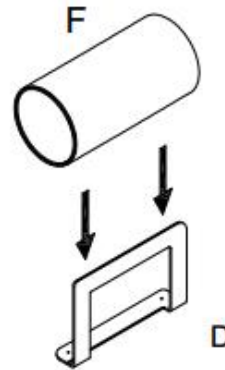
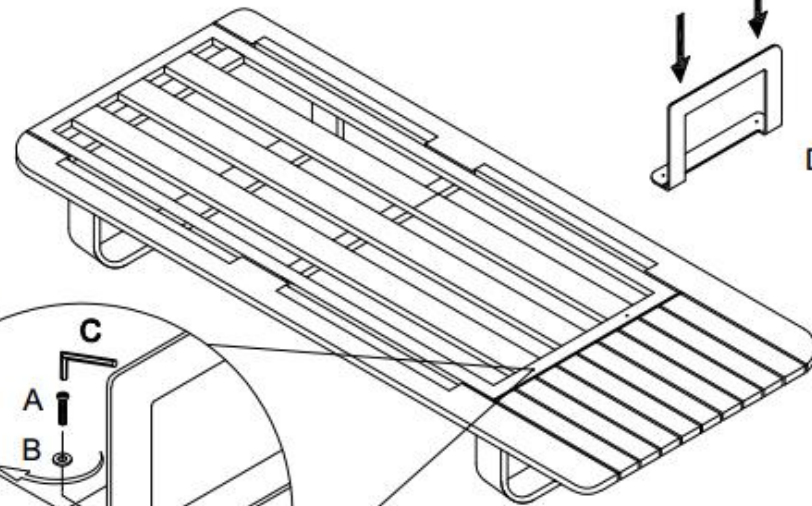
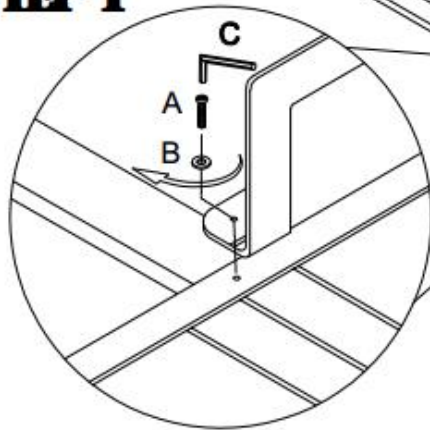
8PCS




1PC

NO	SCHEMA	Q'TY
A		2PCS
B		2PCS
C		1PC
D		1PC
F		1PC

**STEP 1**



**STEP 2**

NO	SCHEMA	QTY
E		2PCS

