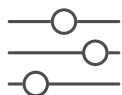


solar powered light



Three settings

dimable 30% | 50% | 100%

automatic 30% | 50% | 100%



Burning hours after 5 hours of charging by direct sunlight

setting 1 light intensity 30% | duration 10h

setting 2 light intensity 50% | duration 8h

setting 3 light intensity 100% | duration 5h



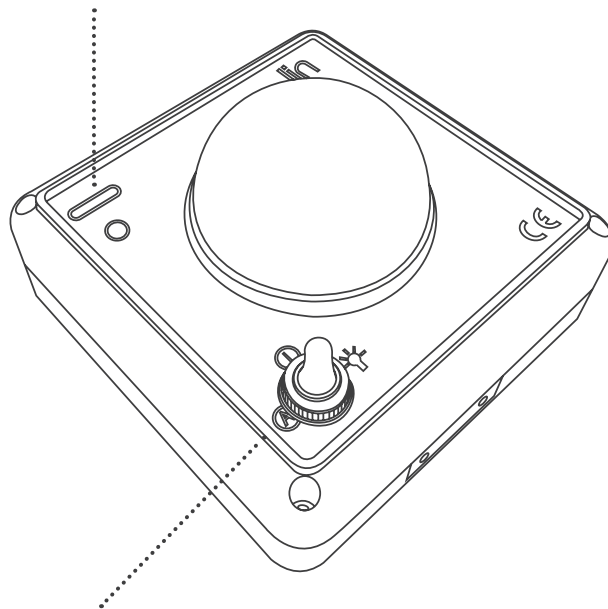
Fully charged by USB-C

setting 1 light intensity 30% | duration 18h

setting 2 light intensity 50% | duration 12h

setting 3 light intensity 100% | duration 7h

Easily chargeable via USB Solar panel has a USB-C connection port. Connect to a computer or wall outlet adapter with included wire.



Switch

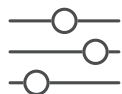
Switch can be used in 3 lighting settings, both fixed and automatic. Simply switch and switch again towards the lamp icon to change position from 30% to 50% to 100%. Do the same towards the A icon to operate automatically (30%, 50%, 100%).

USB charging
Incl. 2m USB-C cable

working temperature
-20° C till + 60° C

lumens
100 lumens / 3.7 V | 2200 ma

battery
lithium battery



three lighting settings



weatherproof



solar powered



operates up to 18 hours



warm LED lighting



USB chargeable



2 year warranty



durable lithium battery



sustainable