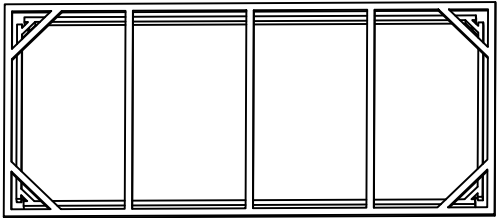


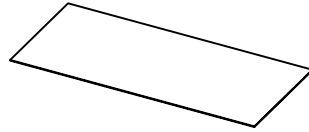
A x1PC



B x4PCS



C x1PCS



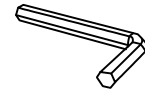
D x4PCS
M10*65



E x4PCS

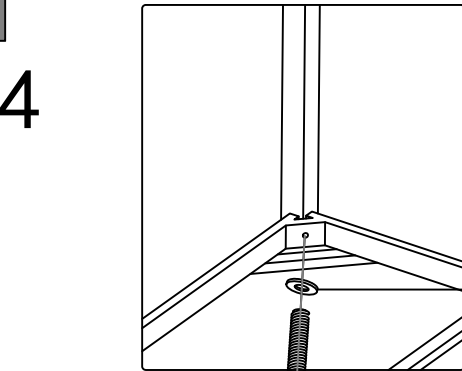


F x1PCS



1

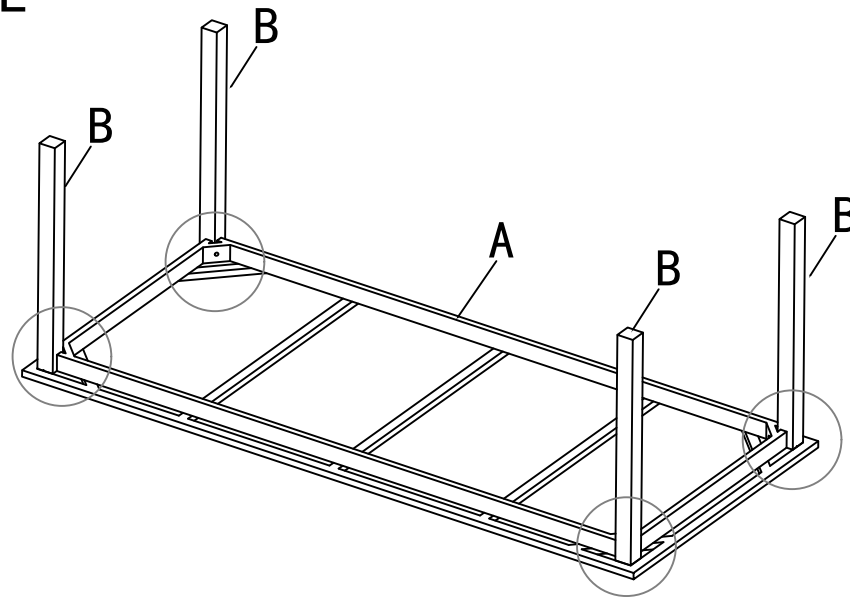
x4



D

F

E



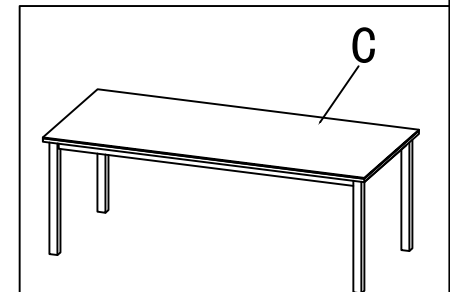
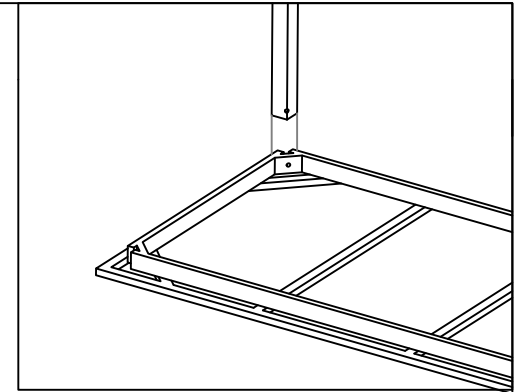
B

B

A

B

B



C