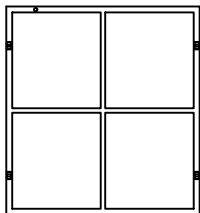
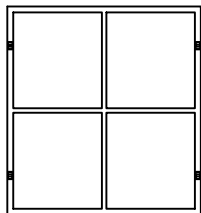


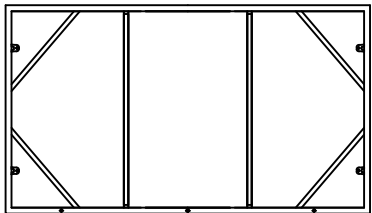
A x1PCS



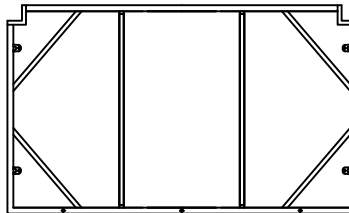
B x1PCS



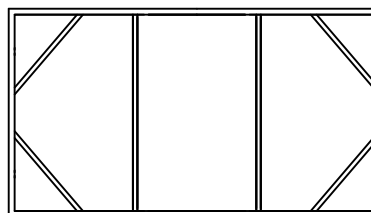
C x1PCS



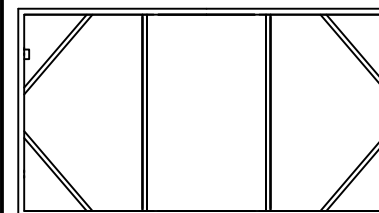
D x1PCS



E x1PCS

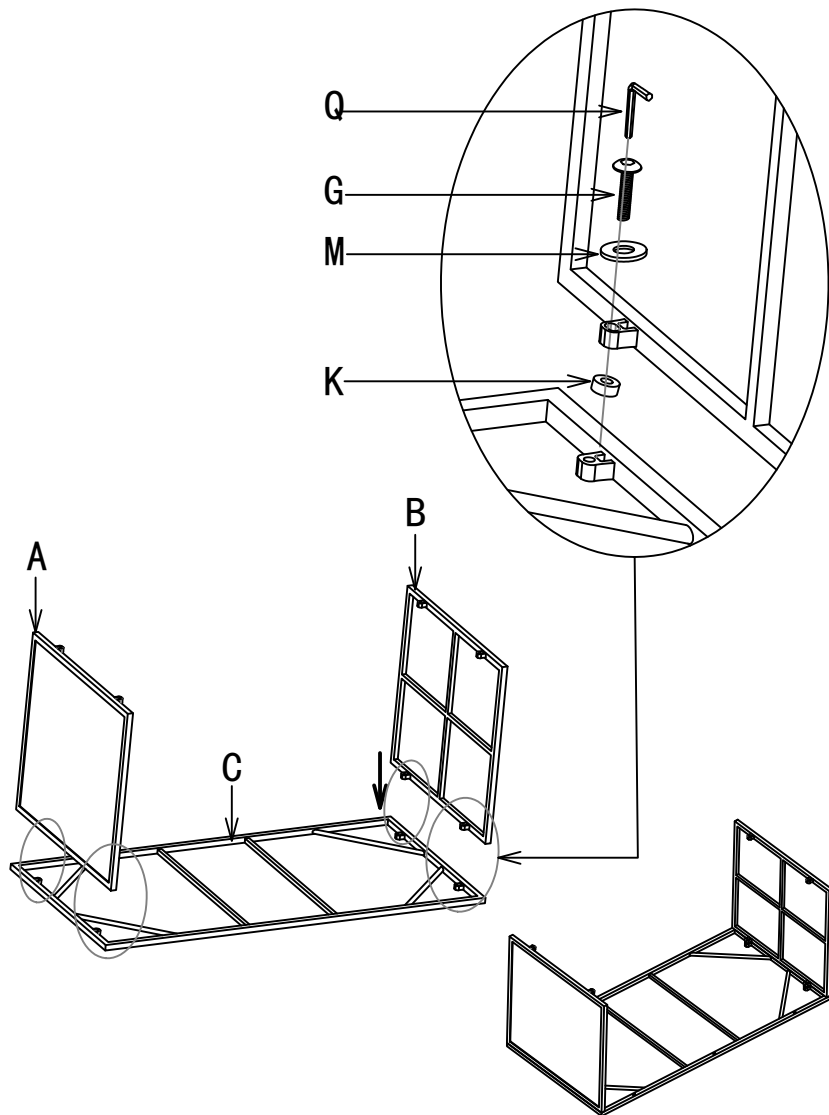


F x1PCS



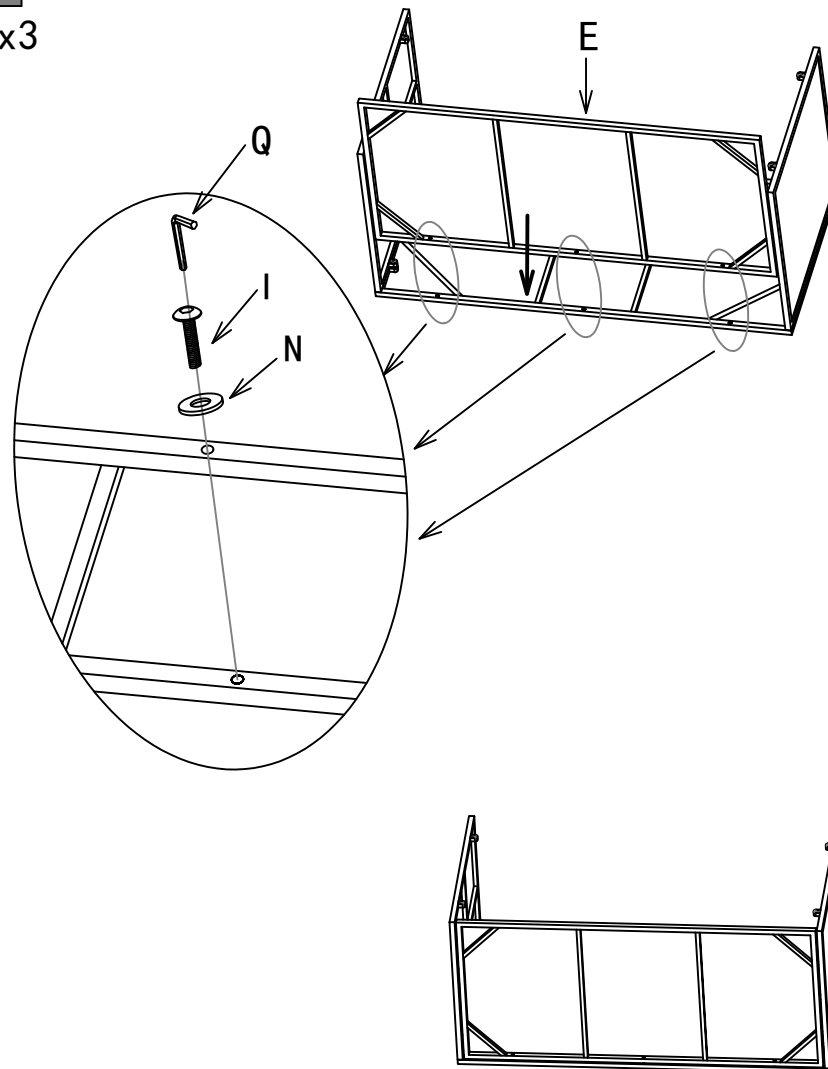
1


x4





2


x3





G  M8\*30/8PCS


H  M8\*40/2PCS


I  M6\*35/6PCS


J  M6\*28\*16/2PCS

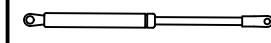
K  M8\*6\*8.5/10PCS

L  M8\*3\*8.5/2PCS

M   $\phi 16 * \phi 8.5 / 10PCS$

N   $\phi 16 * \phi 6.5 / 6PCS$

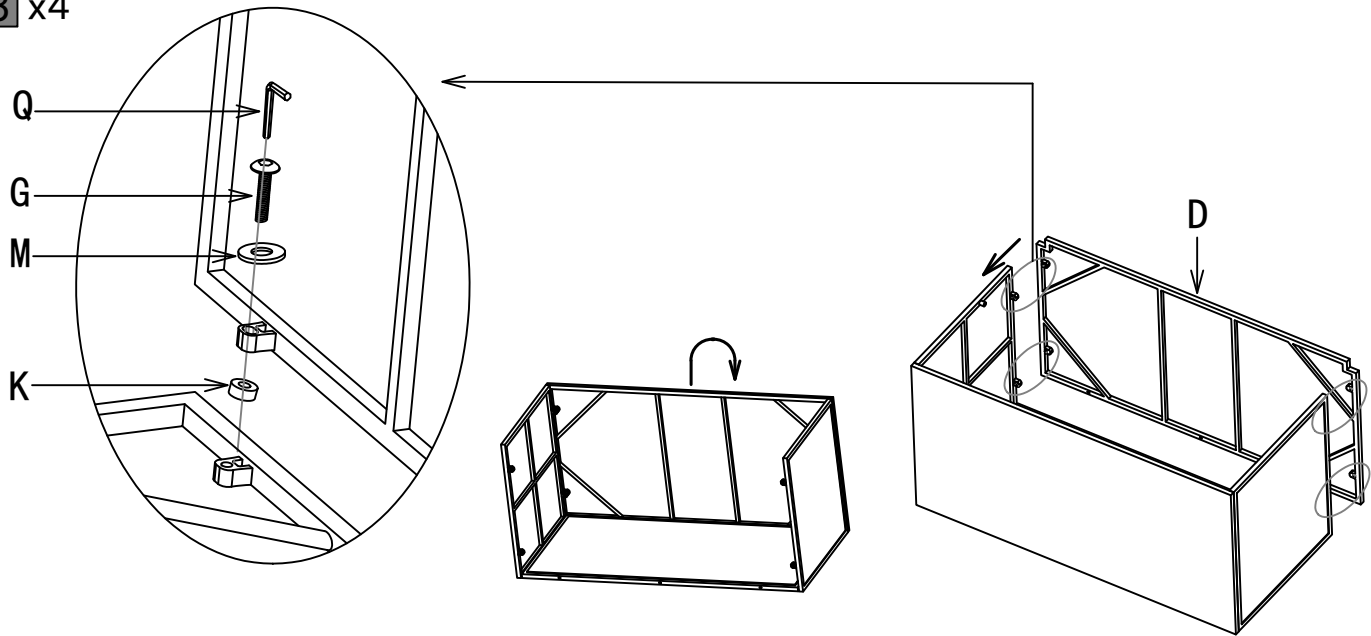
O   $\phi 12 * \phi 6.5 / 2PCS$



P  $\phi 12 * \phi 6.5 / 2PCS$

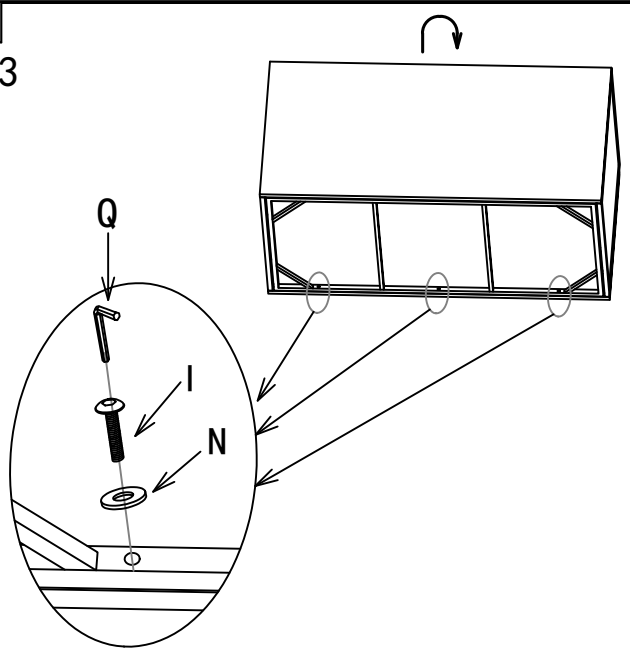
Q  x1PCS

3 x4



4

x3



5

x4

